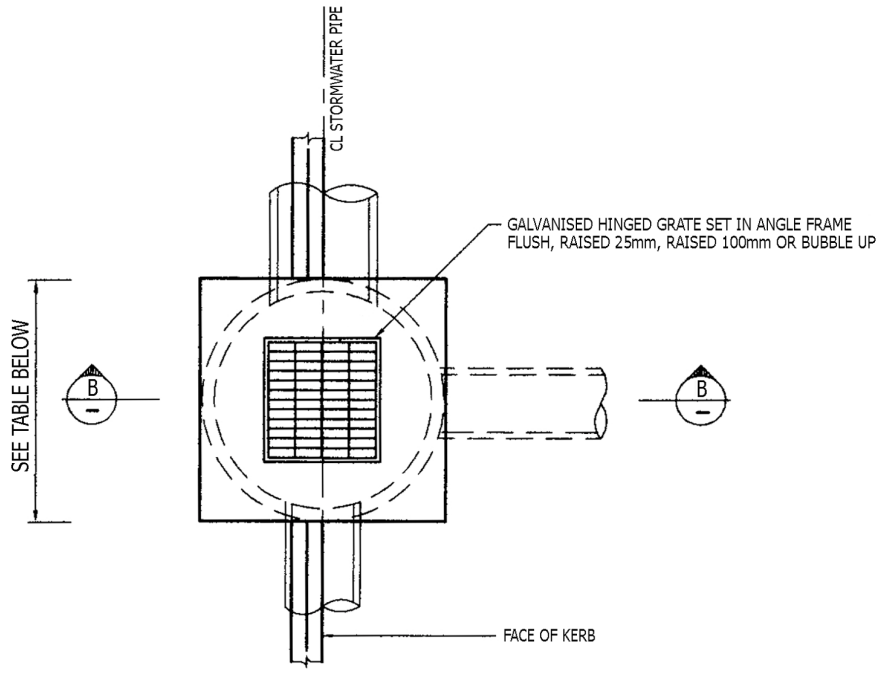
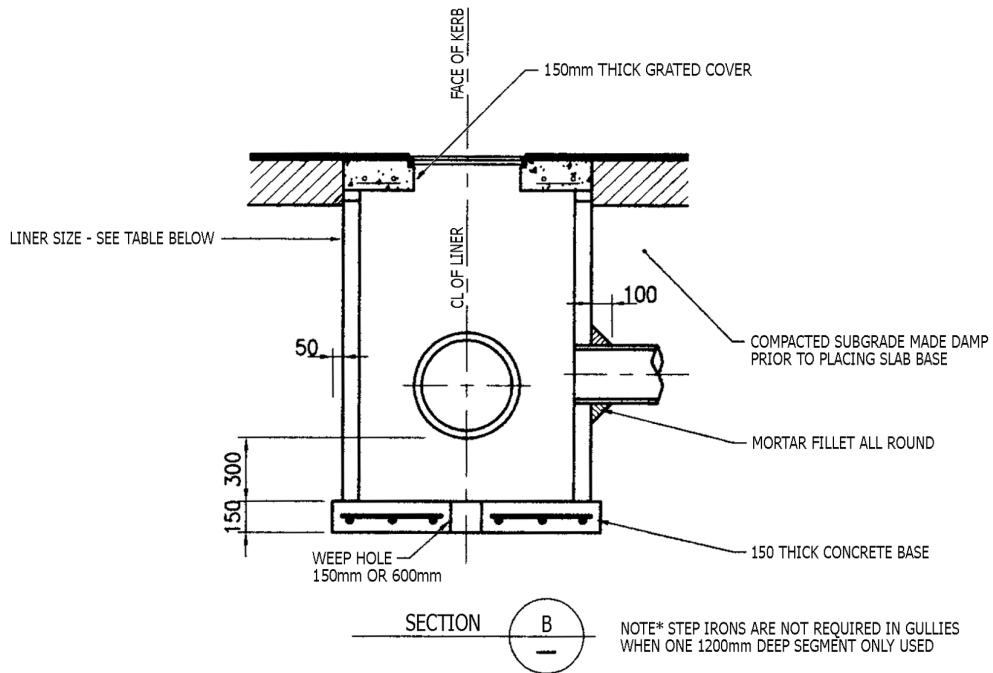


TYPICAL GRATED GULLY PIT SETUP

MJB Industries Pty Ltd
 PO Box A130
 AUSTRALIND WA 6233
 Ph: (08) 9797 0999
 Fx: (08) 9797 0900
 www.mjbindustries.com



PLAN



DETAIL

PIPE SIZE	WELL LINER	BASE	SURROUND
100 - 225	900 NOM.DIA.	1200 x 1200	1050 x 1050 x 150
300 - 450	1050 NOM.DIA.	1300 x 1300	1200 x 1200 x 150
525 - 750	1200 NOM.DIA.	1400 x 1400	1400 x 1400 x 150