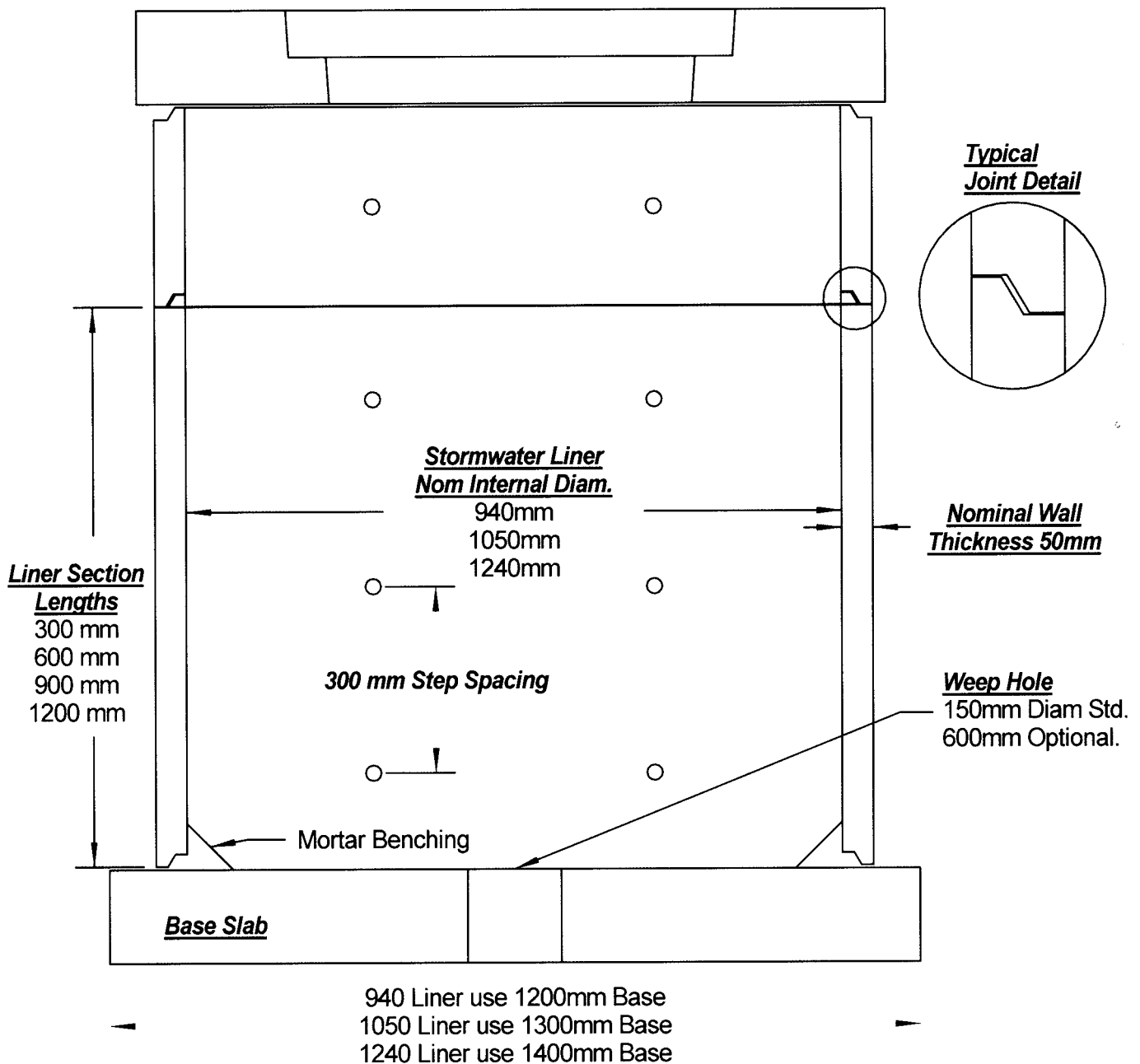


STORMWATER LINER PIT SYSTEM

Optional Pit Configurations

Multiple Type Covers / Lids Available

- JP (Junction Pit) Covers
- Side Entry Covers (Combination, Universal)
- Grated Covers (Flush, Raised 25, 100, Bubble Up)
- Heavy Duty Trafficable Covers W/- Cast Iron Insert



Example: 1050 x .900, 1050 x .300 Liner Sections, 1300mm Base, 1200 JP Cover